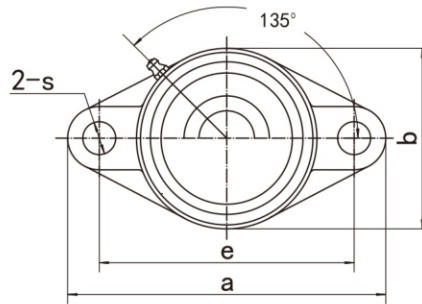
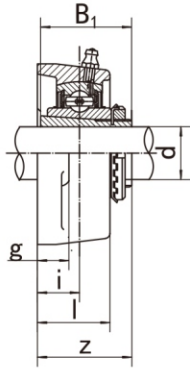
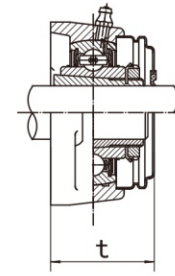


UKFL2 (Normal-duty)



Flange Units (Oval)
(with adapter mounted)



UKFL-C1(D1)

Unit NO.	Dimensions (mm / in.)											Bolt Size mm/in.	Bearing No.	Housing No.	Weight (kg)
	d	a	e	i	g	l	s	b	z	t	B ₁				
UKFL205;H2305 205;HE2305	20 3/4	130 5-1/8	99 3-57/64	16 5/8	13 1/2	27 1-1/16	16 5/8	68 2-11/16	35.5 1-25/64	40 1-9/16	35 1.378	M14 1/2	UK205;H2305 UK205;HE2305	FL205	0.63
UKFL206;H2306 206;HS2306 206;HE2306	25 7/8 1	148 5-13/16	117 4-39/64	18 45/64	13 1/2	31 1-7/32	16 5/8	80 3-5/32	39 1-17/32	44.5 1-3/4	38 1.496	M14 1/2	UK206;H2306 UK206;HS2306 UK206;HE2306	FL206	0.89
UKFL207;H2307 207;HS2307	30 1-1/8	161 6-11/32	130 5-1/8	19 3/4	14 35/64	34 1-11/32	16 5/8	90 3-35/64	42.5 1-43/64	48.5 1-29/32	43 1.693	M14 1/2	UK207;H2307 UK207;HS2307	FL207	1.17
UKFL208;H2308 208;HE2308 208;HS2308	35 1-1/4 1-3/8	175 6-7/8	144 5-43/64	21 53/64	14 35/64	36 1-13/32	16 5/8	100 3-15/16	46.5 1-53/64	55.5 2-3/16	46 1.811	M14 1/2	UK208;H2308 UK208;HE2308 UK208;HS2308	FL208	1.49
UKFL209;H2309 209;HA2309 209;HE2309 209;HS2309	40 1-7/16 1-1/2 1-5/8	188 7-13/32	148 5-53/64	22 55/64	15 19/32	38 1-1/2	19 3/4	108 4-1/4	48.5 1-29/32	56.5 2-7/32	50 1.969	M16 5/8	UK209;H2309 UK209;HA2309 UK209;HE2309 UK209;HS2309	FL209	1.87
UKFL210;H2310 210;HS2310 210;HA2310 210;HE2310	45 1-5/8 1-11/16 1-3/4	197 7-3/4	157 6-3/16	22 55/64	15 19/32	40 1-37/64	19 3/4	115 4-17/32	50 1-31/32	59.5 2-11/32	55 2.165	M16 5/8	UK210;H2310 UK210;HS2310 UK210;HA2310 UK210;HE2310	FL210	2.19
UKFL211;H2311 211;HS2311 211;HA2311 211;HE2311	50 1-7/8 1-15/16 2	224 8-13/16	184 7-1/4	25 63/64	18 23/32	43 1-11/16	19 3/4	130 5-1/8	54.5 2-9/64	63 2-15/32	59 2.323	M16 5/8	UK211;H2311 UK211;HS2311 UK211;HA2311 UK211;HE2311	FL211	2.95
UKFL212;H2312 212;HS2312	55 2-1/8	250 9-27/32	202 7-61/64	29 1-9/64	18 23/32	48 1-7/8	23 29/32	140 5-1/2	61 2-13/32	73.5 2-57/64	62 2.441	M20 3/4	UK212;H2312 UK212;HS2312	FL212	3.73
UKFL213;H2313 213;HA2313 213;HE2313 213;HS2313	60 2-3/16 2-1/4 2-3/8	258 10-5/32	210 8-17/64	30 1-3/16	22 7/8	50 1-31/32	23 29/32	155 6-3/32	64 2-33/64	74.5 2-15/16	65 2.559	M20 3/4	UK213;H2313 UK213;HA2313 UK213;HE2313 UK213;HS2313	FL213	4.67
UKFL215;H2315 215;HA2315 215;HE2315	65 2-7/16 2-1/2	275 10-13/16	225 8-55/64	34 1-11/32	22 7/8	56 2-7/32	23 29/32	165 6-1/2	71 2-51/64	83.5 3-9/32	73 2.874	M20 3/4	UK215;H2315 UK215;HA2315 UK215;HE2315	FL215	6.00
UKFL216;H2316 216;HA2316 216;HE2316	70 2-11/16 2-3/4	290 11-13/32	233 9-11/64	34 1-11/32	22 7/8	58 2-9/32	25 63/64	180 7-3/32	73.5 2-57/64	88.5 3-31/64	78 3.071	M22 7/8	UK216;H2316 UK216;HA2316 UK216;HE2316	FL216	7.34
UKFL217;H2317 217;HA2317 217;HE2317	75 2-15/16 3	305 12	248 9-49/64	36 1-27/64	24 15/16	63 2-15/32	25 63/64	190 7-15/32	77 3-1/32	92.6 3-41/64	82 3.228	M22 7/8	UK217;H2317 UK217;HA2317 UK217;HE2317	FL217	8.68
UKFL218;H2318 218;HA2318	80 3-3/16	320 12-19/32	265 10-7/16	40 1-37/64	24 15/16	68 2-11/16	25 63/64	205 8-1/16	81.5 3-13/64	101.5 4	86 3.386	M22 7/8	UK218;H2318 UK218;HA2318	FL218	10.43