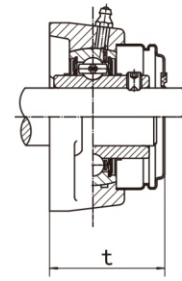
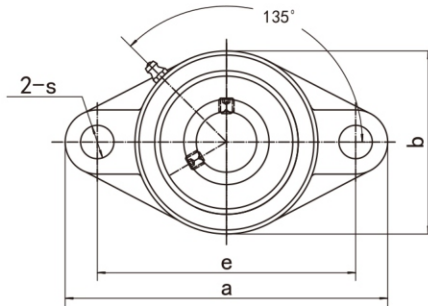
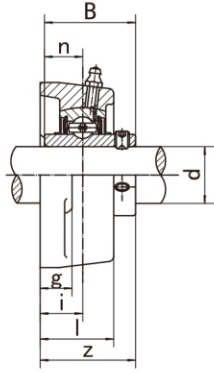


**UCFL2 (Normal-duty)**

**Flange Units (Oval)**



UCFL-C<sub>1</sub>(D<sub>1</sub>)

Unit NO.	Dimensions ( mm / in. )												Bolt Size mm/in.	Bearing No.	Housing No.	Weight (kg)
	d	a	e	i	g	f	s	b	z	t	B	n				
UCFL201	12	113	90	15	11	25.5	12	60	33.3	37.5	31.0	12.7	M10	UC201	FL201	0.45
201-8	1/2	4-7/16	3-35/64	19/32	7/16	1	15/32	2-3/8	1-5/16	1-31/64	1.2205	0.500	3/8	UC201-8		0.44
UCFL202	15	113	90	15	11	25.5	12	60	33.3	37.5	31.0	12.7	M10	UC202	FL202	0.44
202-9	9/16	4-7/16	3-35/64	19/32	7/16	1	15/32	2-3/8	1-5/16	1-31/64	1.2205	0.500	3/8	UC202-9		0.44
202-10	5/8													UC202-10		0.44
UCFL203	17	113	90	15	11	25.5	12	60	33.3	37.5	31.0	12.7	M10	UC203	FL203	0.43
203-11	11/16	4-7/16	3-35/64	19/32	7/16	1	15/32	2-3/8	1-5/16	1-31/64	1.2205	0.500	3/8	UC203-11		0.42
UCFL204	20	113	90	15	11	25.5	12	60	33.3	37.5	31.0	12.7	M10	UC204	FL204	0.40
204-12	3/4	4-7/16	3-5/64	19/32	7/16	1	15/32	2-3/8	1-5/16	1-31/64	1.2205	0.500	3/8	UC204-12		0.40
UCFL205	25	130	99	16	13	27	16	68	35.8	40.0	34.1	14.3	M14	UC205		0.58
205-13	13/16													UC205-13	FL205	0.62
205-14	7/8	5-1/8	3-57/64	5/8	1/2	1-1/16	5/8	2-11/16	1-13/32	1-9/16	1.3425	0.563	1/2	UC205-14		0.61
205-15	15/16													UC205-15		0.59
205-16	1													UC205-16		0.58
UCFL206	30	148	117	18	13	31	16	80	40.2	44.5	38.1	15.9	M14	UC206		0.83
206-17	1-1/16													UC206-17	FL206	0.84
206-18	1-1/8	5-13/16	4-39/64	45/64	1/2	1-7/32	5/8	3-5/32	1-19/32	1-3/4	1.5000	0.626	1/2	UC206-18		0.85
206-19	1-3/16													UC206-19		0.83
206-20	1-1/4													UC206-20		0.82
UCFL207	35	161	130	19	14	34	16	90	44.4	48.5	42.9	17.5	M14	UC207		1.10
207-20	1-1/4													UC207-20	FL207	1.16
207-21	1-5/16	6-11/32	5-1/8	3/4	35/64	1-11/32	5/8	3-35/64	1-3/4	1-29/32	1.6890	0.689	1/2	UC207-21		1.13
207-22	1-3/8													UC207-22		1.10
207-23	1-7/16													UC207-23		1.07
UCFL208	40	175	144	21	14	36	16	100	51.2	55.5	49.2	19.0	M14	UC208		1.42
208-24	1-1/2	6-7/8	5-43/64	53/64	35/64	1-13/32	5/8	3-15/16	2-1/64	2-3/16	1.9370	0.748	1/2	UC208-24	FL208	1.46
208-25	1-9/16													UC208-25		1.43
UCFL209	45	188	148	22	15	38	19	108	52.2	56.5	49.2	19.0	M16	UC209		1.75
209-26	1-5/8													UC209-26	FL209	1.85
209-27	1-11/16	7-13/32	5-53/64	55/64	19/32	1-1/2	3/4	4-1/4	2-1/16	2-7/32	1.9370	0.748	5/8	UC209-27		1.81
209-28	1-3/4													UC209-28		1.77
UCFL210	50	197	157	22	15	40	19	115	54.6	59.5	51.6	19.0	M16	UC210		2.02
210-29	1-13/16													UC210-29	FL210	2.14
210-30	1-7/8	7-3/4	6-3/16	55/64	19/32	1-37/64	3/4	4-17/32	2-5/32	2-11/32	2.0315	0.748	5/8	UC210-30		2.09
210-31	1-15/16													UC210-31		2.04
210-32	2													UC210-32		2.00
UCFL211	55	224	184	25	18	43	19	130	58.4	63.0	55.6	22.2	M16	UC211		2.79
211-32	2													UC211-32	FL211	2.94
211-33	2-1/16	8-13/16	7-1/4	63/64	23/32	1-11/16	3/4	5-1/8	2-5/16	2-15/32	2.1890	0.874	5/8	UC211-33		2.88
211-34	2-1/8													UC211-34		2.84
211-35	2-3/16													UC211-35		2.77
UCFL212	60	250	202	29	18	48	23	140	68.7	73.5	65.1	25.4	M20	UC212		3.65
212-36	2-1/4													UC212-36	FL212	3.78
212-37	2-5/16	9-27/32	7-61/64	1-9/64	23/32	1-7/8	29/32	5-1/2	2-23/32	2-57/64	2.5630	1.000	3/4	UC212-37		3.70
212-38	2-3/8													UC212-38		3.63
212-39	2-7/16													UC212-39		3.56
UCFL213	65	258	210	30	22	50	23	155	69.7	74.5	65.1	25.4	M20	UC213		4.56
213-40	2-1/2													UC213-40	FL213	4.65
213-41	2-9/16	10-5/32	8-17/64	1-3/16	7/8	1-31/32	29/32	6-3/32	2-3/4	2-15/16	2.5630	1.000	3/4	UC213-41		4.56
UCFL214	70	265	216	31	22	54	23	160	75.4	81.5	74.6	30.2	M20	UC214		5.12
214-42	2-5/8													UC214-42	FL214	5.33
214-43	2-11/16	10-7/16	8-1/2	1-7/32	7/8	2-1/8	29/32	6-5/16	2-31/32	3-13/64	2.9370	1.189	3/4	UC214-43		5.23
214-44	2-3/4													UC214-44		5.13
UCFL215	75	275	225	34	22	56	23	165	78.5	83.5	77.8	33.3	M20	UC215		5.64
215-45	2-13/16													UC215-45	FL215	5.61
215-46	2-7/8	10-13/16	8-55/64	1-11/32	7/8	2-7/32	29/32	6-1/2	3-3/32	3-9/32	3.0630	1.311	3/4	UC215-46		5.86
215-47	2-15/16													UC215-47		5.75
215-48	3													UC215-48		5.55
UCFL216	80	290	233	34	22	58	25	180	83.3	88.5	82.6	33.3	M22	UC216		6.91
216-49	3-1/16													UC216-49	FL216	7.09
216-50	3-1/8	11-13/32	9-11/64	1-11/32	7/8	2-9/32	63/64	7-3/32	3-9/32	3-31/64	3.2520	1.311	7/8	UC216-50		6.96
216-51	3-3/16													UC216-51		6.83
UCFL217	85	305	248	36	24	63	25	190	87.5	92.6	85.7	34.1	M22	UC217		8.27
217-52	3-1/4													UC217-52	FL217	8.39
217-53	3-5/16	12	9-49/64	1-27/64	15/16	2-15/32	63/64	7-15/32	3-7/16	3-41/64	3.3740	1.343	7/8	UC217-53		8.35
217-55	3-7/16													UC217-55		8.06
UCFL218	90	320	265	40	24	68	25	205	96.3	101.5	96.0	39.7	M22	UC218		10.13
218-56	3-1/2	12-19/32	10-7/16	1-37/64	15/16	2-11/16	63/64	8-1/16	3-25/32	4	3.7795	1.5630	7/8	UC218-56	FL218	10.24